

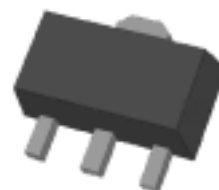


THREE TERMINAL NEGATIVE VOLTAGE REGULATORS -5V FH79L05

-5V 三端稳压器 SOT-89

FEATURES

- Best Suited to Power Supply for TTL, C²-MOS
- Built-in Overcurrent Protective Circuit
- Built-in Thermal Protective Circuit
- Max. Output Current 150mA (T_j=25)
- SOT-89 Packaged in Power Mini .



1.Gnd 2.Vin 3.Vout

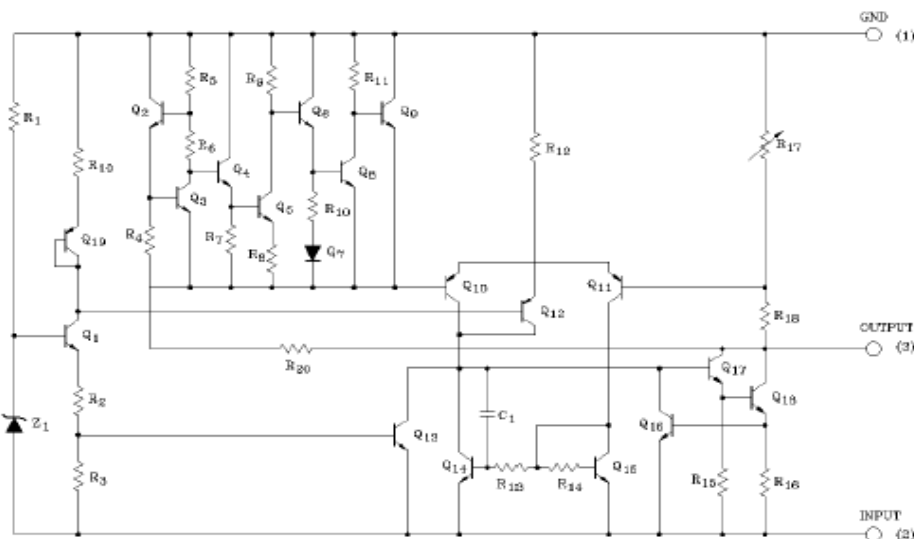
Characteristic		Symbol	Rating	Unit
Input Voltage	(5V~15V)	V _{lin}	- 35	V
	(18V~24V)		- 40	
Power Dissipation (T _c =25)		PD	500	mW
Operating Junction Temperature		T _j	- 30 ~ 150	
Operating Temperature		Topr	- 30 ~ 75	
Storage Temperature		Tstg	- 55 ~ 75	

DEVICE MARKING 打标

FH79L05 = 9A

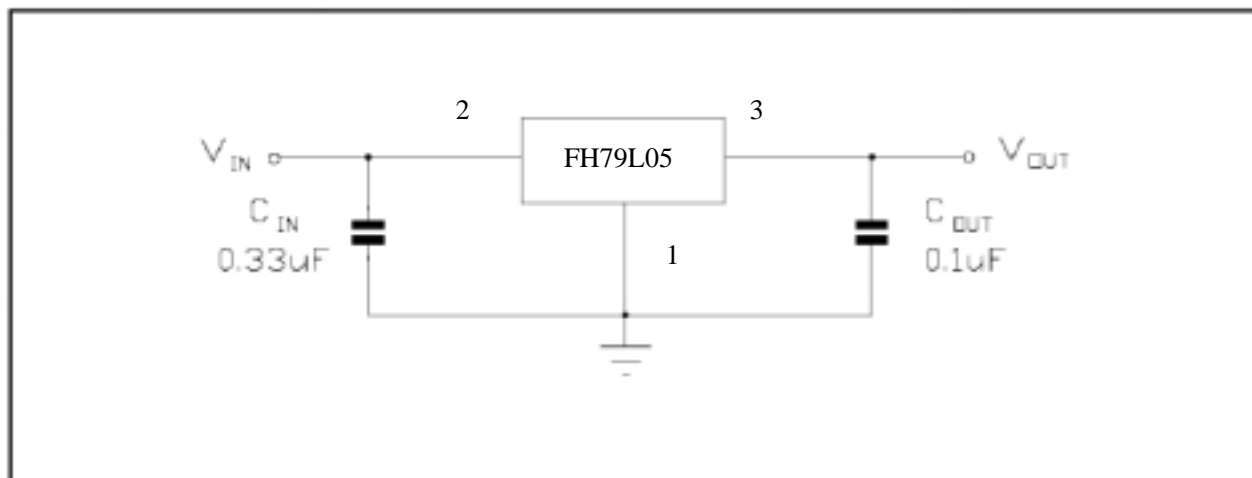
EQUIVALENT CIRCUIT

等效电路





TEST CIRCUITS



ELECTRICAL CHARACTERISTICS

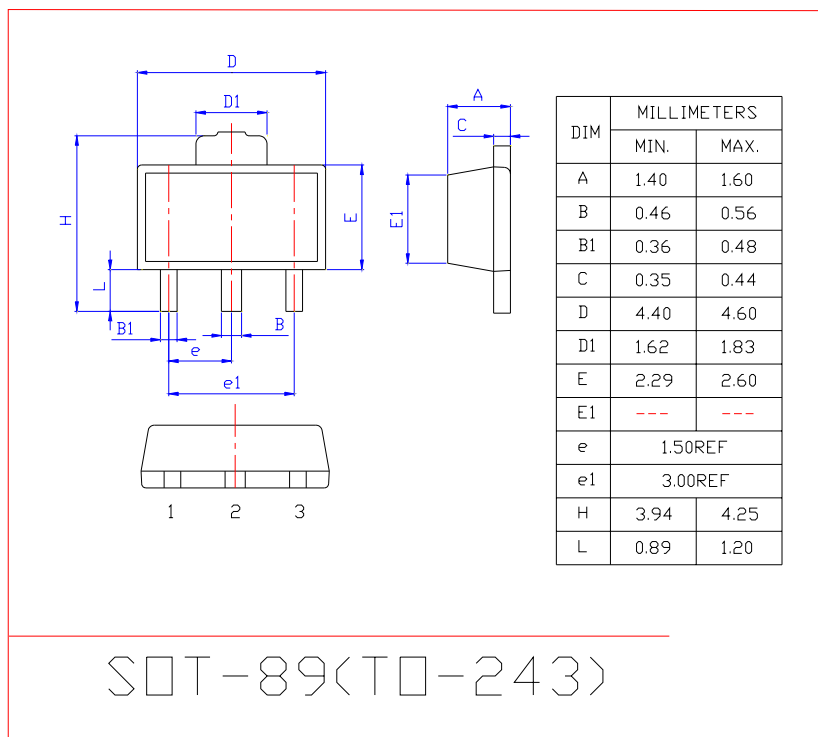
FH79L05

Unless otherwise specified, $V_{in} = -10V$, $I_{out} = 40mA$, $C_{in} = 0.33\mu F$, $C_{out} = 0.1\mu F$, $T_j = 0$ to 125

CHARACTERISTIC	SYMBOL	TEST CONDITION	MIN.	TYP.	MAX.	UNIT	
Output Voltage	V_{out}	$T_j = 25$	-5.2	-5.0	-4.8	V	
Input Regulation	Reg line	$T_j = 25$	$-20V \leq V_{in} \leq -7.0V$	-	55	150	mV
			$-20V \leq V_{in} \leq -8.0V$	-	45	100	
Load Regulation	Reg load	$T_j = 25$	$1.0mA \leq I_{out} \leq 100mA$	-	11	60	mV
			$1.0mA \leq I_{out} \leq 40mA$	-	5.0	30	
Output Voltage	V_{out}	$-20V \leq V_{in} \leq -7.0V$ $1.0mA \leq I_{out} \leq 40mA$	-5.25	-	-4.75	V	
		$V_{in} = -10V$, $1.0mA \leq I_{out} \leq 70mA$	-5.25	-	-4.75		
Quiescent Current	I_Q	$T_j = 25$	-	3.1	6.0	mA	
		$T_j = 125$	-	-	5.5		
Quiescent Current Change	I_Q	$-20V \leq V_{in} \leq -8.0V$	-	-	1.5	mA	
		$1.0mA \leq I_{out} \leq 40mA$	-	-	0.1		
Output Noise Voltage	V_{NO}	$T_a = 25$, $10Hz \leq f \leq 100kHz$	-	40	-	μV_{rms}	
Long Term Stability	V_{out}/t		-	12	-	mV/1.0 kHrs	
Ripple Rejection Ratio	RR	$f = 120Hz$, $-18V \leq V_{in} \leq -8.0V$ $T_j = 25$	41	49	-	dB	
Dropout Voltage	$ V_{in} - V_{out} $	$T_j = 25$, $I_{out} = 40mA$		1.7		V	
Average Temperature Coefficient of Output Voltage	TCvo	$I_{out} = 5mA$	-	-0.6	-	mV/	



SOT-89 封装外形尺寸 (SOT-89 DIMENSION)



编带包装规格 (SOT-89 TAPE AND REEL SPECIFICATION AND PACKING SPECIFICATION)

